

BC300

# Phys-Ed Cart



## Assembly Guide BC300\_2017\_A

Check out our other products online at  
[www.copernicused.com](http://www.copernicused.com)

For assistance, please contact us:

**1-800-267-8494**

Email [info@copernicused.com](mailto:info@copernicused.com)

Have your packing slip ready for reference

## WARNING !

- This product is meant to be assembled by an adult.
- In its unassembled state, small parts present a choking hazard.
- To be used under direct supervision of an adult.

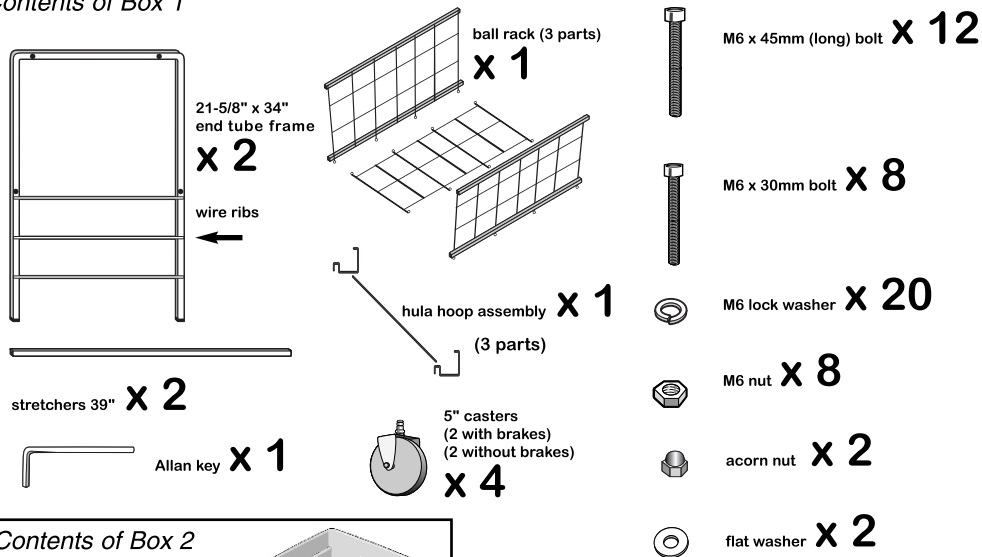


**10**  
**Year**  
Frame  
Warranty

## Validate Your Warranty

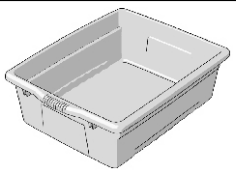
To validate your warranty, submit the ON-LINE form at [www.copernicused.com](http://www.copernicused.com)  
Enter a draw to win a Copernicus Product for your classroom at the same time!

### Contents of Box 1



### Contents of Box 2

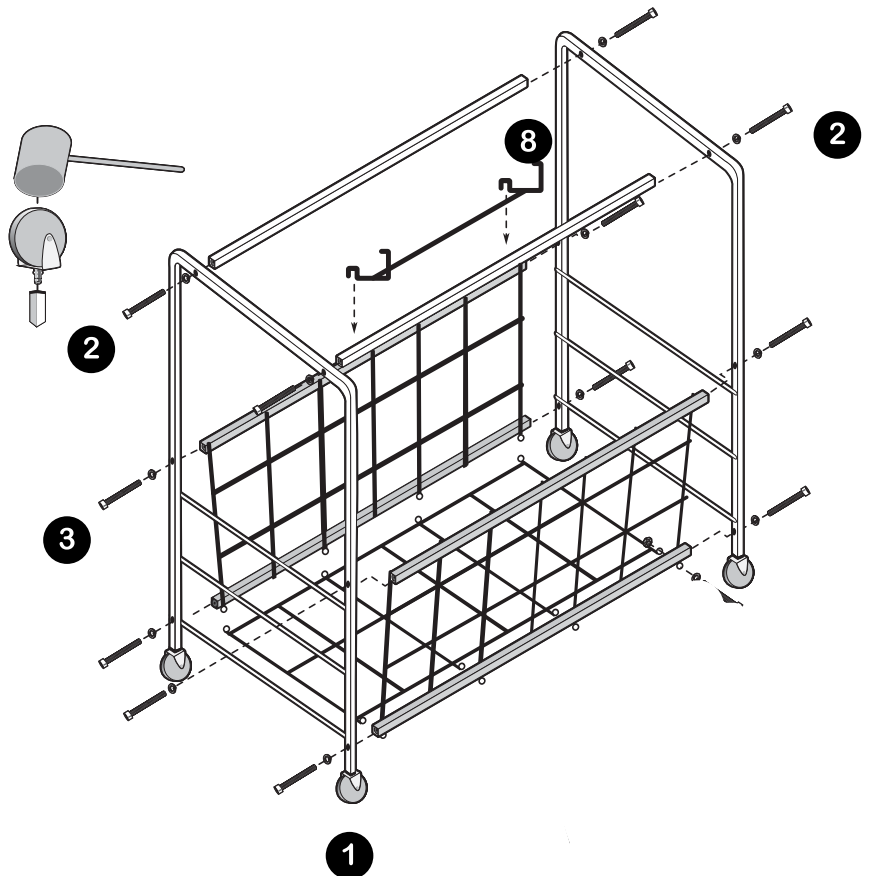
Royal™ Open Book  
Tub  
**x 3**



## Assembly:

1. Insert caster stems into black caster inserts on frames. Push casters in by hand until they bottom out against lip on caster stem. If you find they are hard to push in, tap gently directly over the stem with a mallet until caster bottoms out against lip on caster stem.
2. Assemble on the side. Attach the two end tube frame to the stretchers with the M6 x 45mm bolts and lock washers as shown. Do not tighten.
3. Attach rack stretchers keeping wires to the inside using the M6 bolts and the lockwashers.
4. Turn upright.
5. Attach bottom of ball rack to sides with M6 x 30mm bolts, lock washers and nuts.
6. Tighten all bolts.
7. Fasten Hula Hoop assembly together using 2 flat washers and acorn nuts
8. Snap the hula hoop assembly on a top stretcher.
9. Place the three tubs between the top stretchers.

**Note:** Only when total assembly is complete - tighten all bolts.



Visit [www.copernicused.com](http://www.copernicused.com) to browse our entire line of educational aids