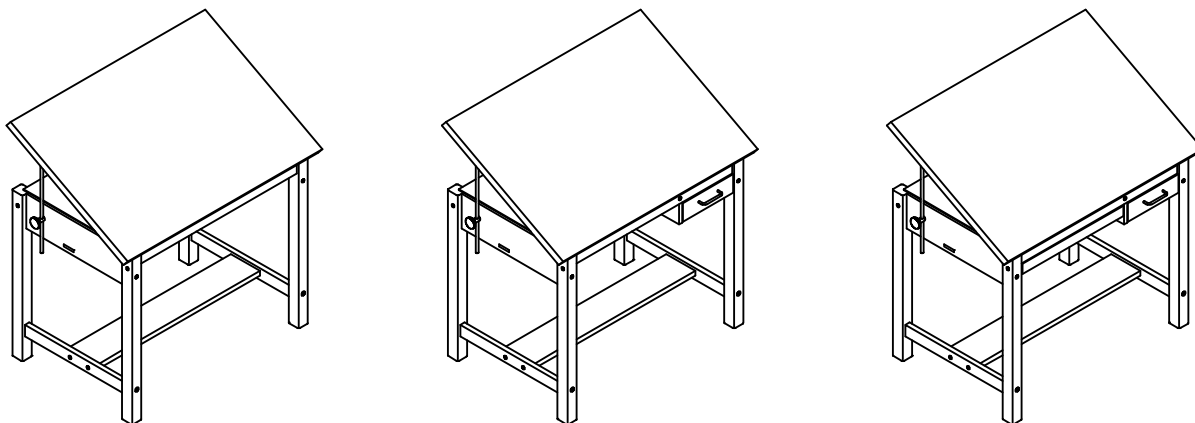


ASSEMBLY INSTRUCTIONS WOOD FOUR-POST TABLES



***NOTE:** Please count and inspect all pieces before disposing of any carton or packing materials.*

When ordering components, specific color and/or size information may be required. Contact a Mayline Customer Service Representative. 1-800-822-8037

COMPONENTS:

| REF. # | QTY. | DESCRIPTION | PART No. |
|--------|------|---------------------|----------|
| 1 | 1 | R.H. SIDE ASSEMBLY | A1606 |
| 2 | 1 | L.H. SIDE ASSEMBLY | A1607 |
| 3 | 1 | FRONT RAIL ASSEMBLY | CALL~~ |
| 4 | 1 | REAR RAIL | CALL~~ |
| 5 | 1 | FOOT RAIL | CALL~~ |
| 6 | 1 | DUST COVER | CALL~~ |
| 7 | 2 | TILT ROD ASSEMBLY | A315 |

OPTIONAL COMPONENTS:

The following components are in addition to the TABLE components.

TOOL DRAWER ACCESSORY:

| | | | |
|---|---|----------------|-------|
| 8 | 1 | CENTER SUPPORT | A1604 |
| 9 | 1 | TOOL DRAWER | A1623 |

SHALLOW DRAWER ACCESSORY:

| | | | |
|----|---|----------------|--------|
| 10 | 1 | SHALLOW DRAWER | CALL~~ |
|----|---|----------------|--------|

~~Denotes Size

*for individual item, order that part number

HARDWARE BAG: TABLE w/o DRAWER - PART No. A4137
TABLE with DRAWER - PART No. A4175

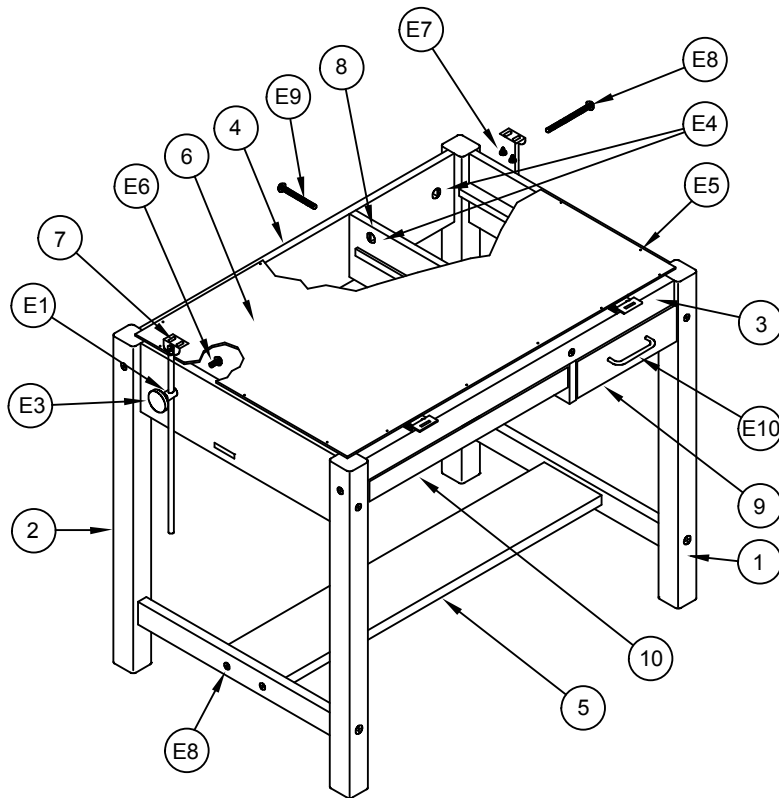
| REF. # | QTY. | DESCRIPTION | PART No. |
|--------|------|------------------------|----------|
| E1 | 2 | TILT ROD GUIDE | B160* |
| E2 | 2 | UPPER HINGE | B194* |
| E3 | 2 | KNOB | K13* |
| E4 | 10 | 5/16-18 SQUARE NUT | T11* |
| E5 | 16 | NAIL | V23* |
| E6 | 2 | 5/16-18 X 1 1/4 SCREW | X102* |
| E7 | 10 | #10 X 3/4 SCREW | X11* |
| E8 | 8 | 5/16 - 18 X 5 SCREW | X240* |
| E9 | 2 | 5/16 -18 X 3 1/2 SCREW | X241* |

OPTIONAL COMPONENTS HARDWARE:

The following hardware is in addition to the Table Hardware .

TOOL DRAWER HARDWARE:

| | | | |
|-----|---|--------------|-------|
| E10 | 1 | BRASS HANDLE | Q410* |
|-----|---|--------------|-------|



1. Set Table End Assemblies (1 & 2) on end, upside down with drawer glides to inside and tilt rod holes to back.

2. Attach Rear Rail (4), large holes to inside and slightly below center, to Table End Assemblies (1 & 2).

3. Attach Front Rail Assembly (3), hinges toward floor and facing forward, by aligning steel dowels with holes in Table End Assemblies (1 & 2). Tighten joint using 5/18-18 x 5 Screw (E8) and 5/16-18 Square Nut (E4).

4. Attach Foot Rail (5) to Table End Assemblies (1 & 2) by aligning steel dowels with holes in End Assemblies. Tighten joint by using 5/18-18 x 5" Screw (E8) and 5/16-18 Square Nuts (E4).

5. Turn table upright.

6. Attach Tilt Rod Guide (E1) using 5/16-18 x 1 1/4 Screw (E6). Tilt Rod Guide should be snug, but not tight, so Guide can swivel.

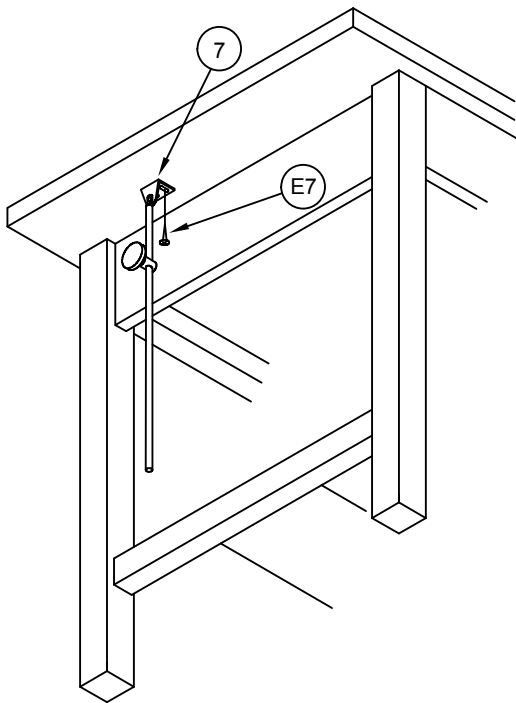
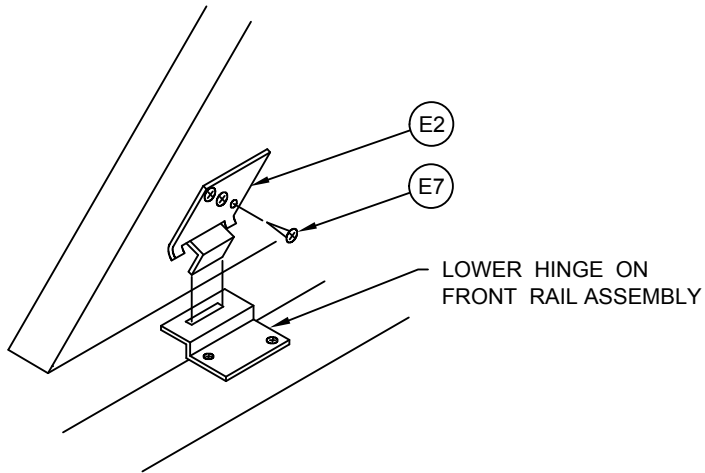
7. Slide Tilt Rod Assembly (7) through hole in Guide (E1) and hold in place with Plastic Knob (E3).

8. Attach OPTIONAL Center Support (8) with notch up and to front, aligning steel dowels in Rear Rail (4). Tighten joints by using 5/16-18 x 3 1/2 Screw (E9) and 5/16-18 Square Nut (E4).

9. Center and nail Dust Cover (6) to Table frame using Nails (E5). Three nails on sides and five nails front and back rails.

10. Insert OPTIONAL Drawers (9 & 10). Slight drawer fit adjustment can be made by loosening bolts and shifting the Center Support (8).

11. Attach Handle (E10) to Tool Drawer Assembly (9) using screws provided with handle.



12. Align holes in Upper Hinge (E2) with holes in underside of Top. Attach Upper Hinge to Top using #10 x 3/4 Screws (E7).

13. Hold Top in vertical position, insert ears of Upper Hinge (E2) into the slots of the Lower Hinge that has been pre attached to the front rail. Lower Top to a horizontal position.

14. Attach Tilt Rods (7) to Top using #10 x 3/4 Screws (E7).