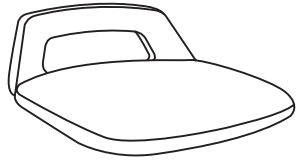


Model: 2800 Height Adjustable Perch Stool

Parts Listing

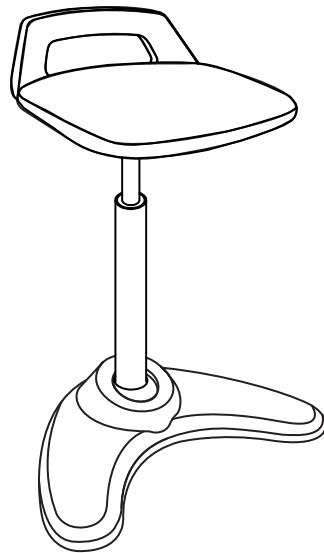
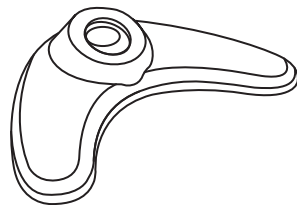
A
Seat
1 Unit



B
Gas Lift
1 Unit



C
Base
1 Unit



Assembly Instructions

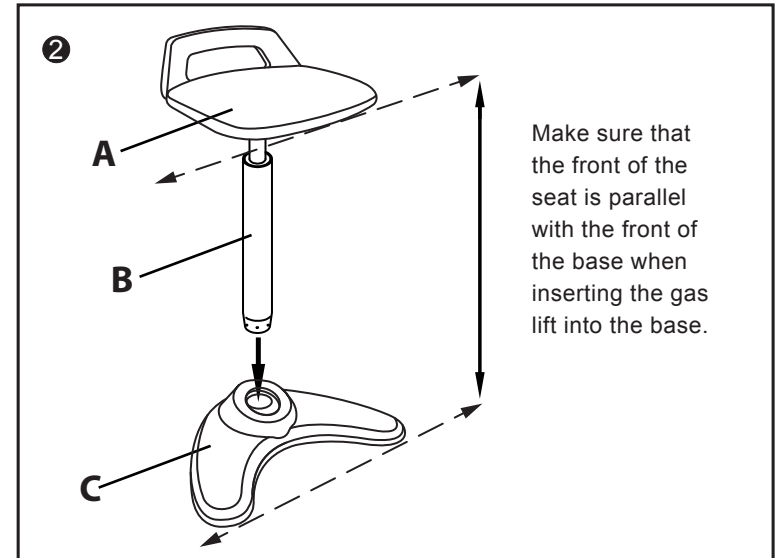
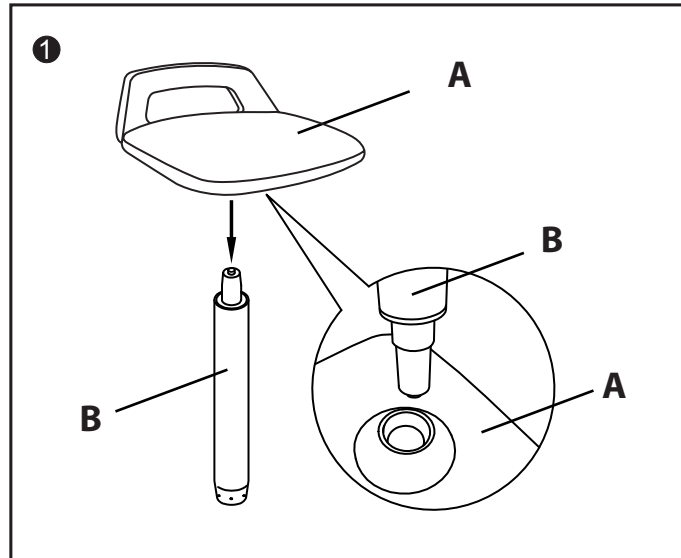
Please read all instructions before assembly.

No Tools Required to Assemble.

Note: Remove protective cap on top of gas lift before assembly.

Step 1: Attach Seat (A) to Gas Lift (B) by inserting the end of the Gas Lift (B) with the extension rod into the hole in the bottom of Seat (A). Push down on Seat (A) to secure the Seat (A) to Gas Lift (B).

Step 2: With Gas Lift (B) attached to Seat (A), insert bottom of Gas Lift (B) into opening in top of Base (C). Be sure to align the front of Seat (A) parallel with the front of Base (C) before inserting. Apply downward pressure to the Seat to secure Seat (A) and Gas Lift (B) to Base (C).



WEIGHT CAPACITY: 250 lbs.

CAUTION:

1. Do not use this stool as a step ladder.

161 Tradition Trail, Holly Springs, NC, 27540
800-520-7471 (voice) • 919-362-4765 (fax)
919-303-6389 (voice) • www.ofminc.com
support@ofminc.com