

## CASCADE TEACHER DESK DOUBLE PEDESTAL MODELS

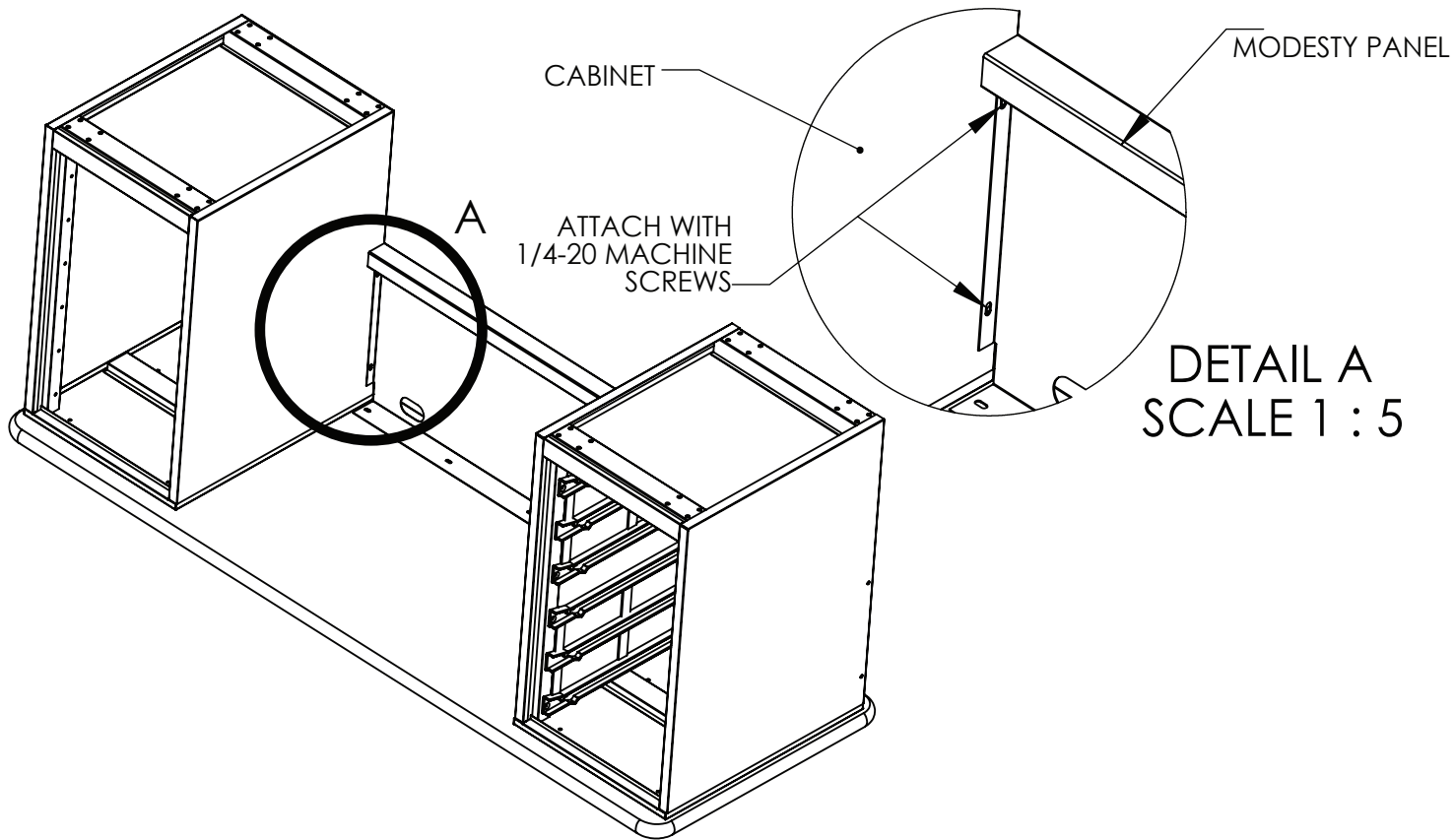


If you have damaged or missing components please contact customer service.

800-328-1061

[www.smithsystem.com](http://www.smithsystem.com)

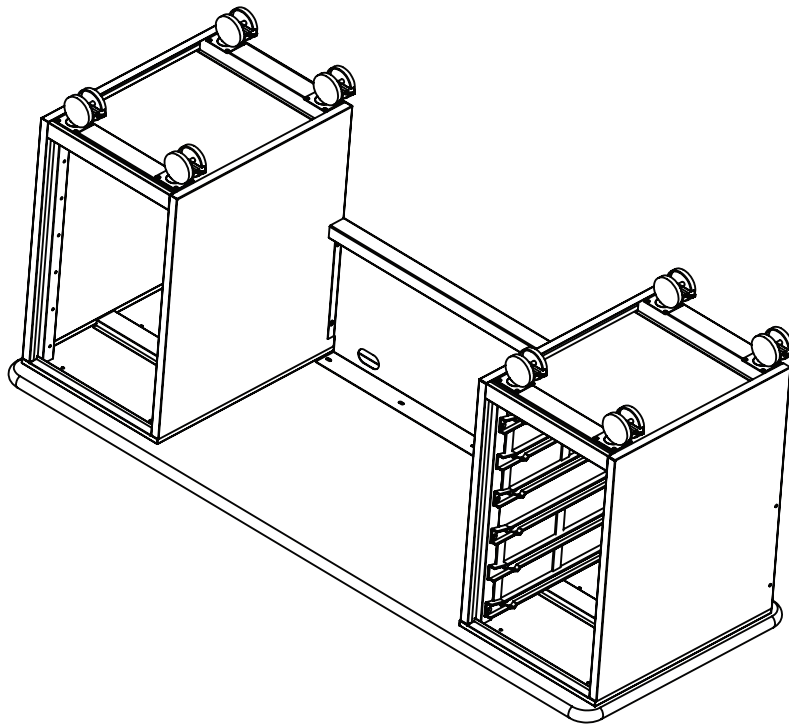
1. LAY THE TOP UPSIDE DOWN, WITH THE CUT OF THE T-MOLD AT THE BACK AND MAKE SURE THE LAMINATE IS FACE DOWN AND THE PRE-DRILLED HOLES ARE FACING UPWARDS.



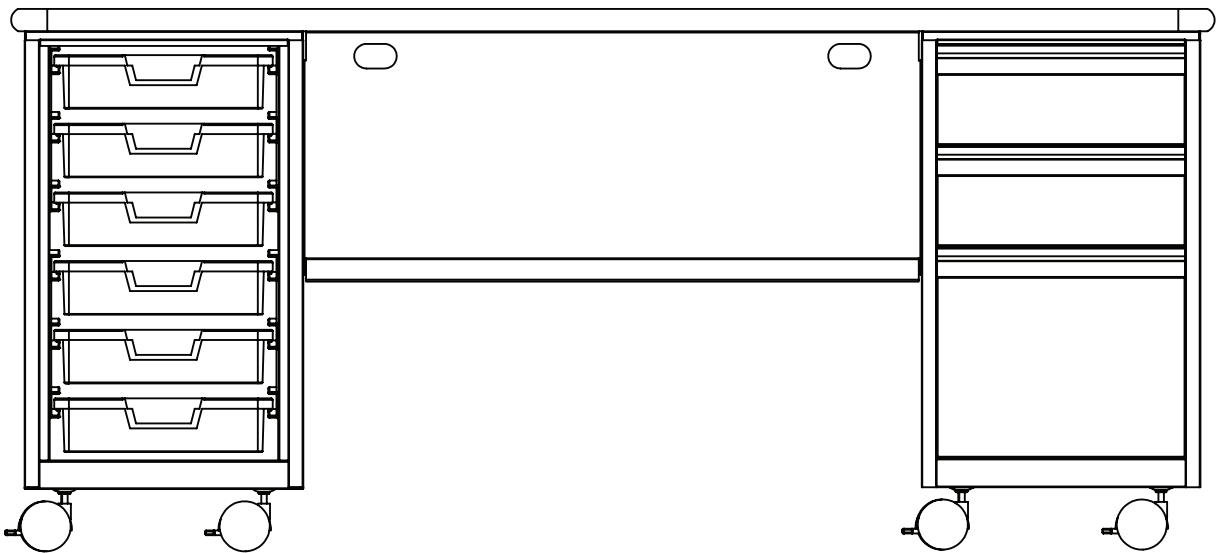
2. REMOVE BOTH DRAWER PEDS FROM THEIR CARTONS. REMOVE THE DRAWERS OR TOTES. TURN THEM UPSIDE-DOWN SO YOU CAN ACCESS THE HOLES IN THE TOP PLATE. ATTACH THE MODESTY PANEL TO THE CABINETS LOOSELY USING THE SUPPLIED 1/4-20 MACHINE SCREWS.
3. SECURE DRAWER PED ON TO THE WORK SURFACE. ALIGN HOLES ON DRAWER PED TO PRE-DRILLED HOLES ON THE WORKSURFACE. ONCE THE PEDS ARE ATTACHED FULLY TIGHTEN THE MACHINE SCREWS HOLDING THE MODESTY PANEL.



4. NOW ATTACH THE CASTERS TO THE PEDS USING THE SUPPLIED SCREWS.



5. PLACE UNIT UPRIGHT AND INSTALL DRAWERS OR TOTES.



If you have damaged or missing components please contact customer service.