



SMITH SYSTEM

Furniture for inspired learning.

Café Power Table Assembly Instruction Sheet



If you have damaged or missing components, please contact customer service.

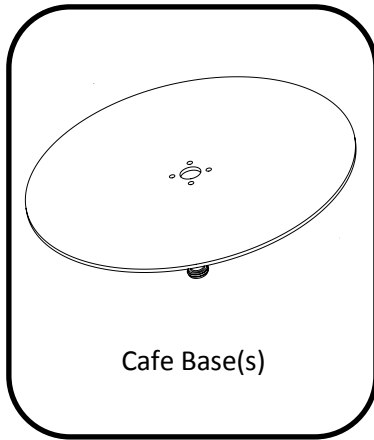
800-328-1061

Form# 179744

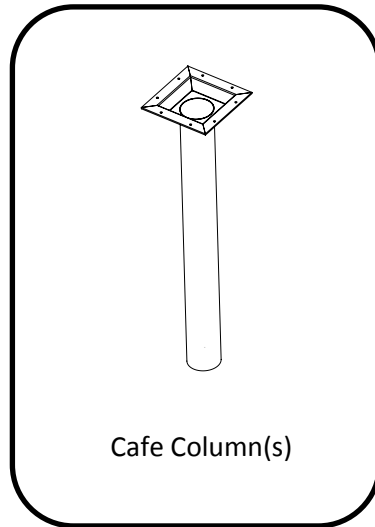
www.smithsystem.com

05/2015

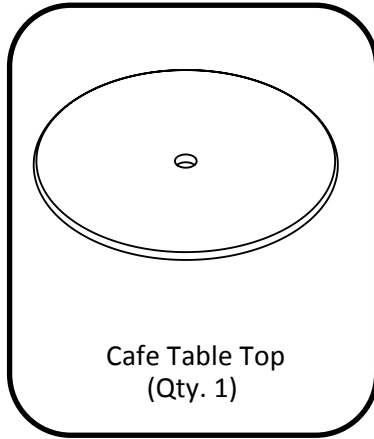
Hardware and Components



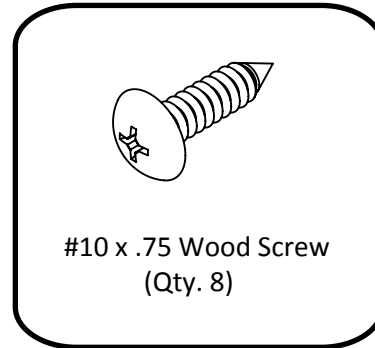
Cafe Base(s)



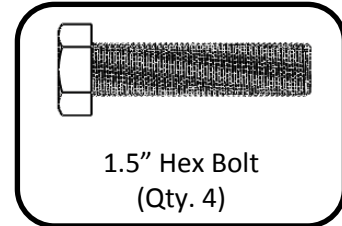
Cafe Column(s)



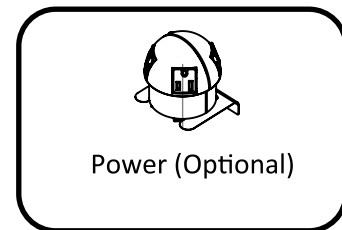
Cafe Table Top
(Qty. 1)



#10 x .75 Wood Screw
(Qty. 8)



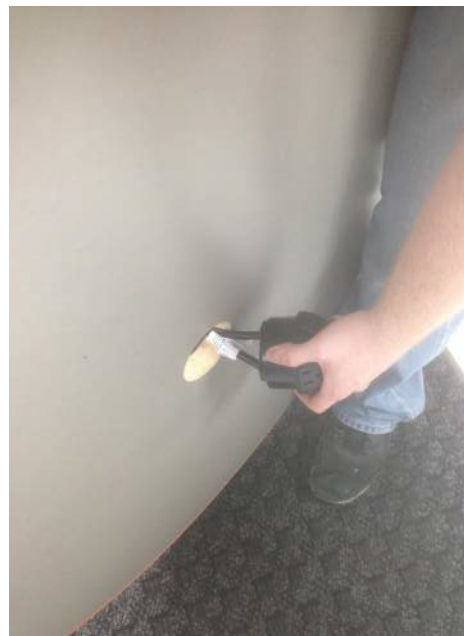
1.5" Hex Bolt
(Qty. 4)



Power (Optional)

Assembly Instructions

Step 1: If power is included, run power cord through hole in top until power unit is seated flush against surface. Then attach retaining clip or nut provided with the power unit.



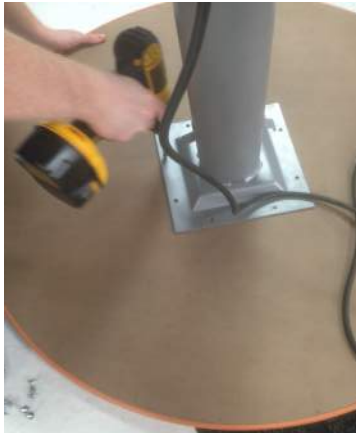
If you have damaged or missing components, please contact customer service.

800-328-1061

Step 2: If using power, pass cords through provided column as shown.



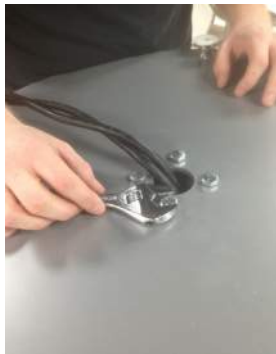
Step 3: Place column onto top and use the wood screws provided to attach column and top together.



Step 4: If equipped with power, pass power cords through base as shown.



Step 5: Align holes on base with holes on bottom of column and attach one another using the provided bolts.



If you have damaged or missing components, please contact customer service.

800-328-1061